



QuickGuide
EN

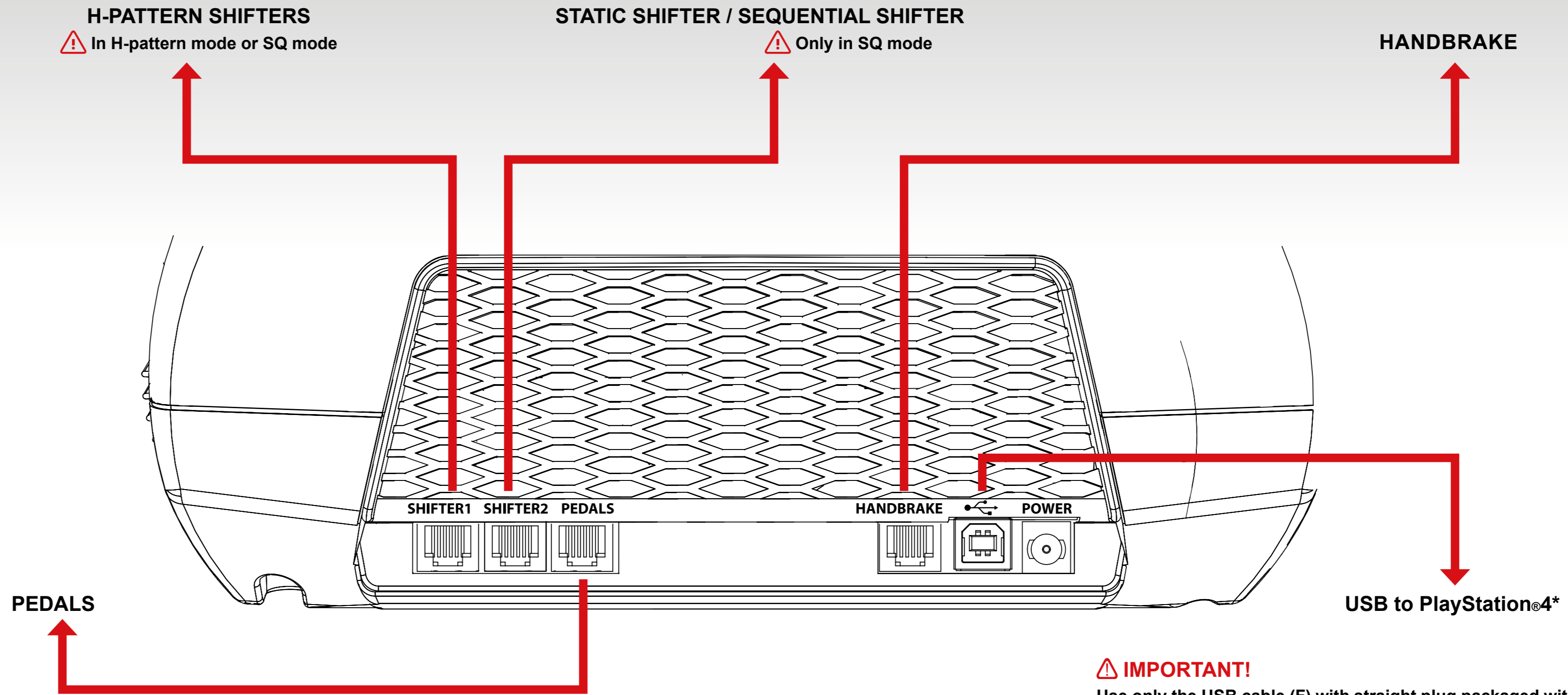


“PS”, “PlayStation”, “PS4” and “△○×□” are registered trademarks of Sony Interactive Entertainment Inc. All rights reserved. All other trademarks are the property of their respective owners.



www.fanatec.com

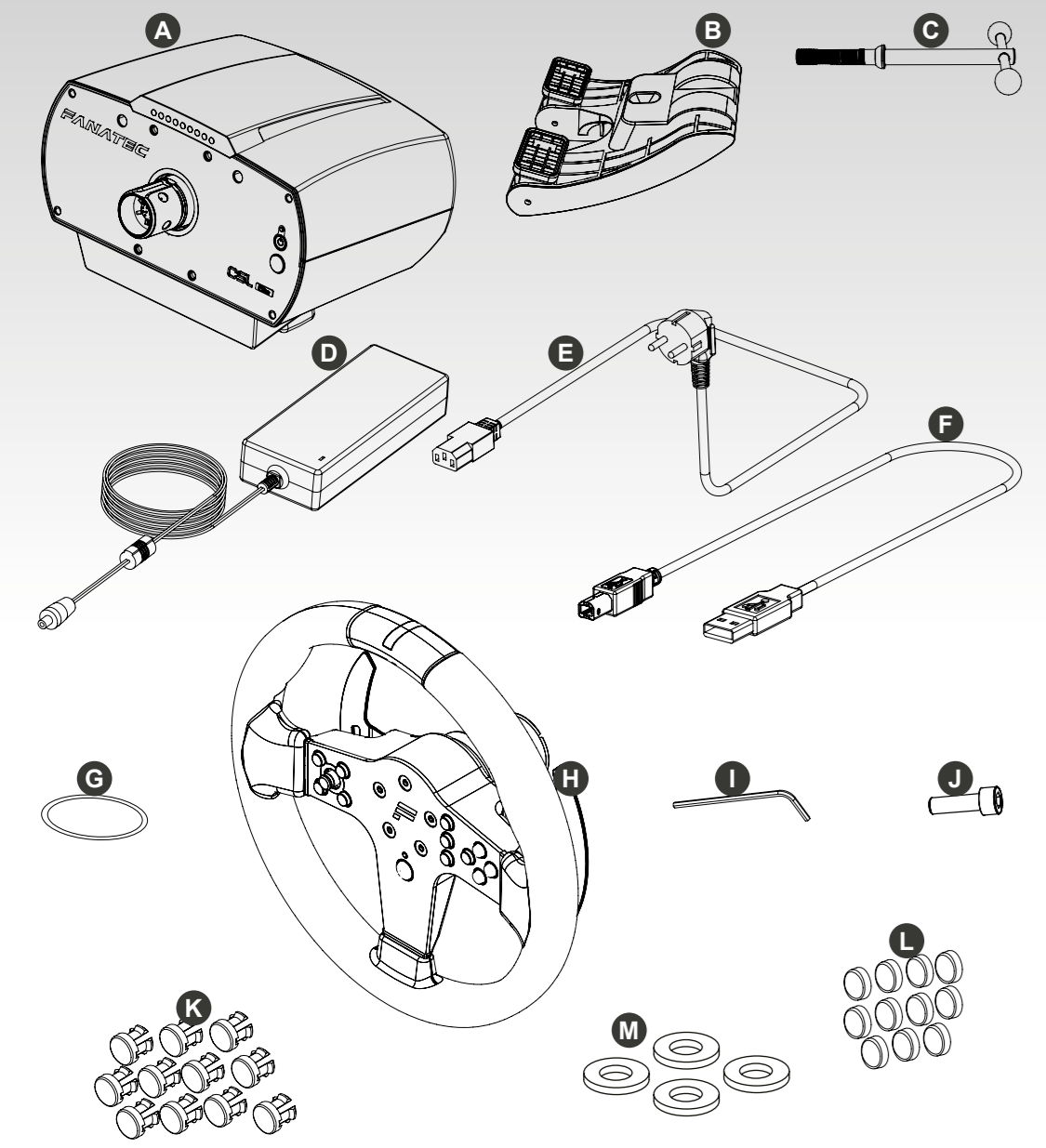
CONNECTIONS



IMPORTANT!
Use only the USB cable (F) with straight plug packaged with the CSL Elite Racing Wheel to avoid damage to the USB port.

* also to PC.
PC compatibility not tested nor endorsed by Sony Interactive Entertainment Europe.

CONTENTS



- CSL Elite Wheel Base (PS4™ version) (A)
- Table clamp (B)
- Table clamp screw with handle (C)
- Power supply unit (D)
- Power cord (regional) (E)
- USB connection cable (F)
- O-Ring (G)
- CSL Elite Steering Wheel (H)
- Allen key 5mm (I)
- Fixation screw M6 x 18mm (flat head) (J)
- Racing style button caps for CSL Elite Steering Wheel (K)
- PS4™ button caps for ClubSport steering wheels (L) (ClubSport steering wheels sold separately)
- Black washers (M) (for mounting ClubSport Static Shifter Paddles)

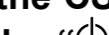

MANUAL

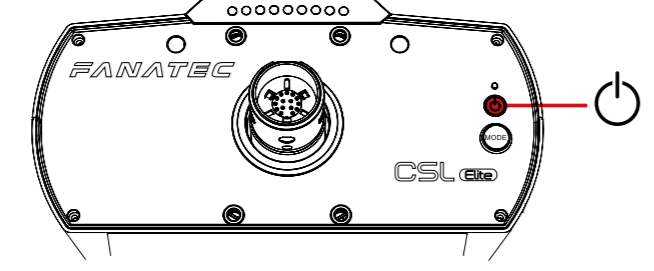
For detailed information please download the user manual from www.fanatec.com/support. This is just a QuickGuide and you will miss a lot of features if you don't read the user manual.
This product is under warranty of Endor AG, E.ON-Allee 3, 84036 Landshut, Germany, Telephone: +49 (871) 9221-122, Fax: +49 (871) 9221-221, Email: info.webshop@fanatec.com. Refer to the chapter 'warranty' of the user manual as well as the terms & conditions of Endor AG on www.fanatec.com/terms-and-conditions.html.

ATTENTION

When starting up the CSL Elite Racing Wheel for the first time please update the firmware, you can obtain it from www.fanatec.com/downloads. Follow the instructions provided by user manual. Compatibility with PlayStation®4 games on a case by case basis. For a full list of compatible games, please visit www.fanatec.com.

ON AND OFF

To turn on the CSL Elite Racing Wheel, connect it to power and press the “” button on the right side of the CSL Elite Racing Wheel for about one second.
To turn off the CSL Elite Racing Wheel, press and hold the “” button for 5 seconds.



NOTE: Only use the power supply (D) and power cord (E) included with this product.

ATTACHING THE RIM

- Use fixation screw (J) and Allen key (I) from box contents.
 - Align CSL Elite Wheel Base (A) axle to correct position.
 - Slide CSL Elite Steering Wheel (H) onto CSL Elite Wheel Base (A) axle.
 - Turn the CSL Elite Steering Wheel (H) top side down to see the bottom side of the clamp ring to follow next step below
 - Push CSL Elite Steering Wheel (H) until the screw hole matches with hole on CSL Elite Wheel Base (A) axle
 - Turn in fixation screw (J) to fix clamp ring mechanism. Use only the included Allen key (I).
- IMPORTANT:** Tighten only by using the short lever of Allen key!

DETACHING THE RIM

- Turn out the fixing screw (J) and open clamp ring mechanism. Use only the Allen Key (I) which comes with the CSL Elite Racing Wheel!
- Slide CSL Steering Wheel (H) off CSL Elite Wheel Base (A) axle.
- Store fixation screw (J) and Allen key (I) safely for later use.

EXCHANGEABLE BUTTON CAPS

To detach the button caps, simply pull them out by hand. They can be replaced with the included set of racing style button caps for CSL Elite Steering Wheel (K).

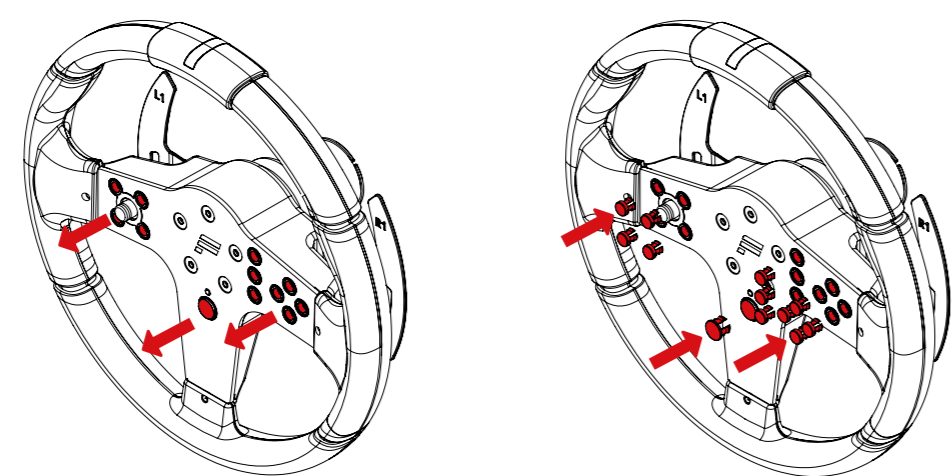
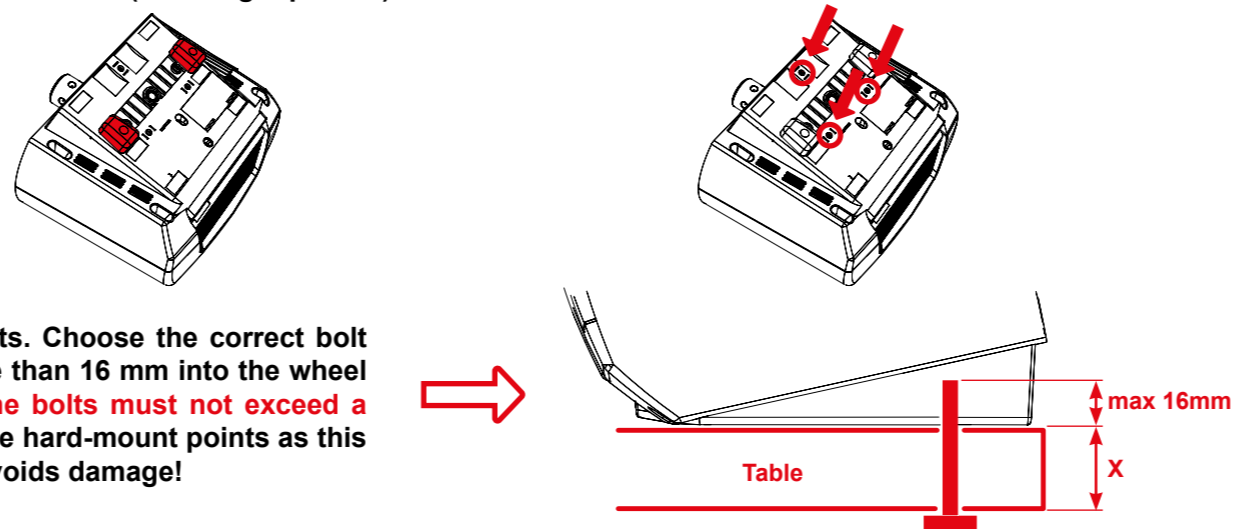


TABLE CLAMP

- Insert the table clamp screw with handles (C) into the table clamp (B).
 - Turn the table clamp screw (C) into the bottom centre of the CSL Elite Wheel Base (A).
 - Slide the CSL Elite Wheel Base (A) onto the table top until the limiter blocks stop sliding at the edge of the table.
 - Tighten the table clamp (B) by turning the table clamp screw (C). Ensure that the table clamp's feet remain well aligned with the bottom of the table plate.
- NOTE:** Table clamp (B) has to be below table top.

HARD-MOUNTING

To hard-mount the wheel base, first disassemble the two blocks from the underside (lower left picture) using a 3 mm Allen key (not included). The CSL Elite Wheel Base + offers a three-point hard-mount location on the underside (lower right picture):

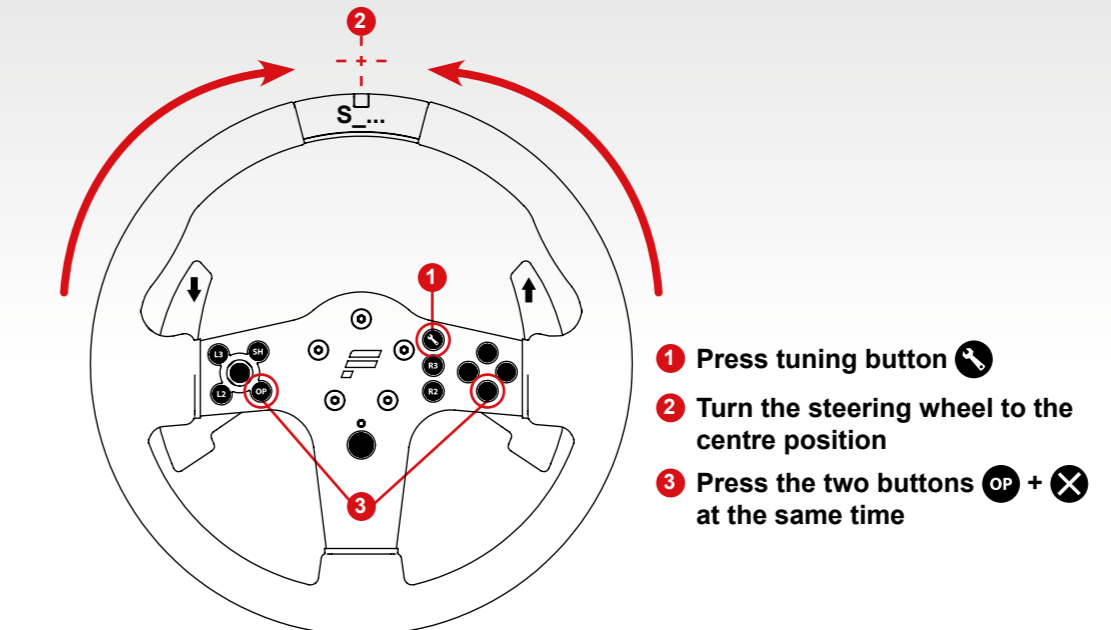


IMPORTANT: Use only good quality M6 bolts. Choose the correct bolt length to prevent the thread from reaching more than 16 mm into the wheel base. Example: If your table is 20 mm thick, the bolts must not exceed a total thread length of 36 mm! Always use all three hard-mount points as this allows for a proper and stable installation and avoids damage!

NOTE: To hard-mount the CSL Elite Wheel Base + to a table or rig with bolts please, find the printable drilling template in the download area of our website: www.fanatec.com

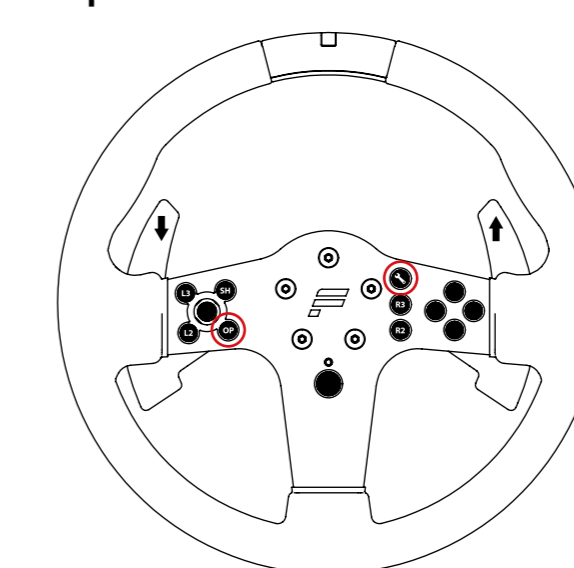
CENTRE CALIBRATION

If a centre calibration is needed (e. g. after firmware update of wheel base) you need to enter the tuning menu by pressing button as shown on the graphic → "S_..." will appear on the display. Now turn the wheel to its centre position and press two buttons + at the same time to calibrate the wheel centre.



SHIFTER CALIBRATION

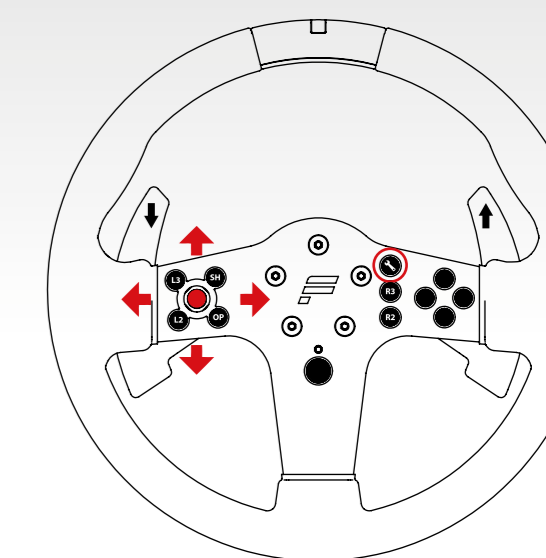
To enter shifter calibration mode, simultaneously press the two buttons + , highlighted below. For the detailed process read shifter manual.



TUNING OPTIONS

To enter tuning menu press button . To navigate inside the menu, use the directional stick:

- Press directional stick up or down to access 5 setups
- Press directional stick right or left to go through the options and press or hold it up or down to change option values



MODES

The CSL Elite Racing Wheel will start in PlayStation®4 Mode by default when the CSL Elite Racing Wheel (H) is attached to the CSL Elite Wheel Base (A). To switch to other modes press the 'Mode' button once. The LED above the "Mode" button will indicate the current operation mode:

- Blue indicates PlayStation®4 mode
- Red indicates PC mode*
- Purple indicates ClubSport Wheel Base V2 Compatibility Mode

* PC compatibility not tested nor endorsed by Sony Interactive Entertainment Europe.

Manufactured by
ENDOR
 Fanatec® is a registered trademark of Endor AG
 Designed and developed by Endor AG in Germany
 E.ON-Allee 3 - 84036 Landshut - Germany
 Telephone: +49 (871) 9221-122 Fax: +49 (871) 9221-221
 Email: info.webshop@fanatec.com
 Website: www.fanatec.com - www.endor.ag
 Licensed for sale in Europe and Australia and for use exclusively with PlayStation®4.

