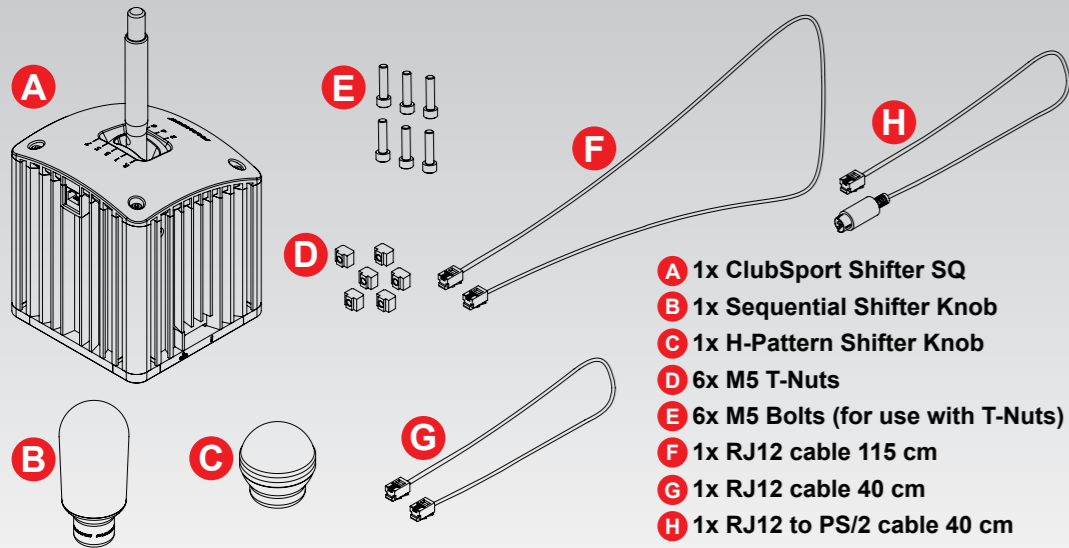
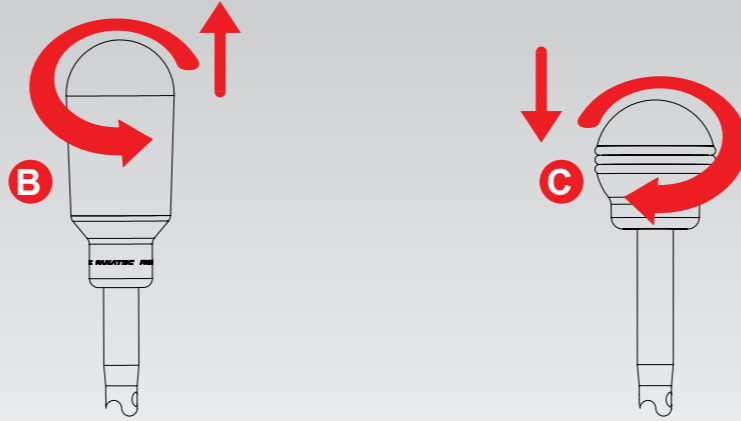


PACKAGE CONTENT

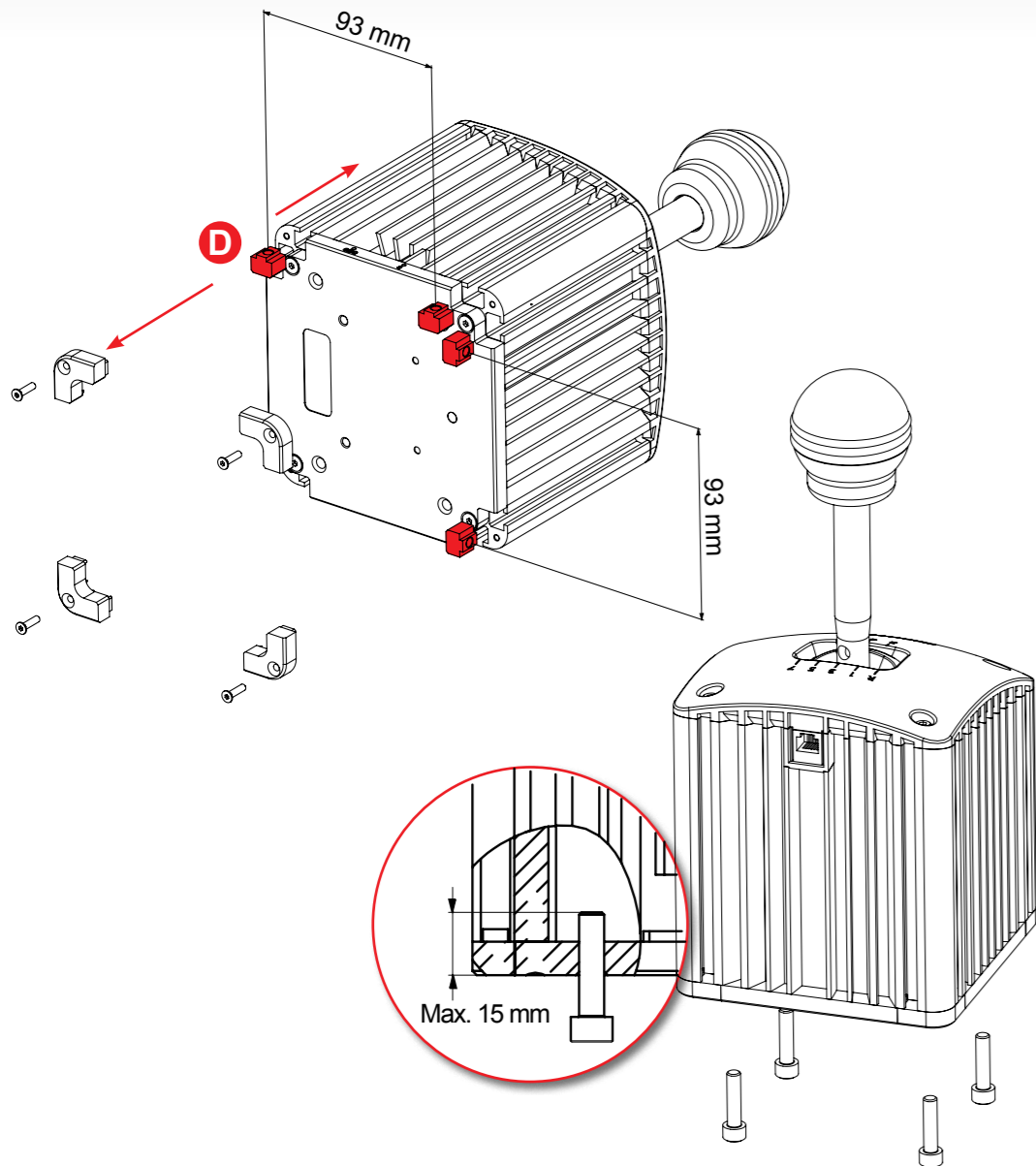


- A** 1x ClubSport Shifter SQ
- B** 1x Sequential Shifter Knob
- C** 1x H-Pattern Shifter Knob
- D** 6x M5 T-Nuts
- E** 6x M5 Bolts (for use with T-Nuts)
- F** 1x RJ12 cable 115 cm
- G** 1x RJ12 cable 40 cm
- H** 1x RJ12 to PS/2 cable 40 cm

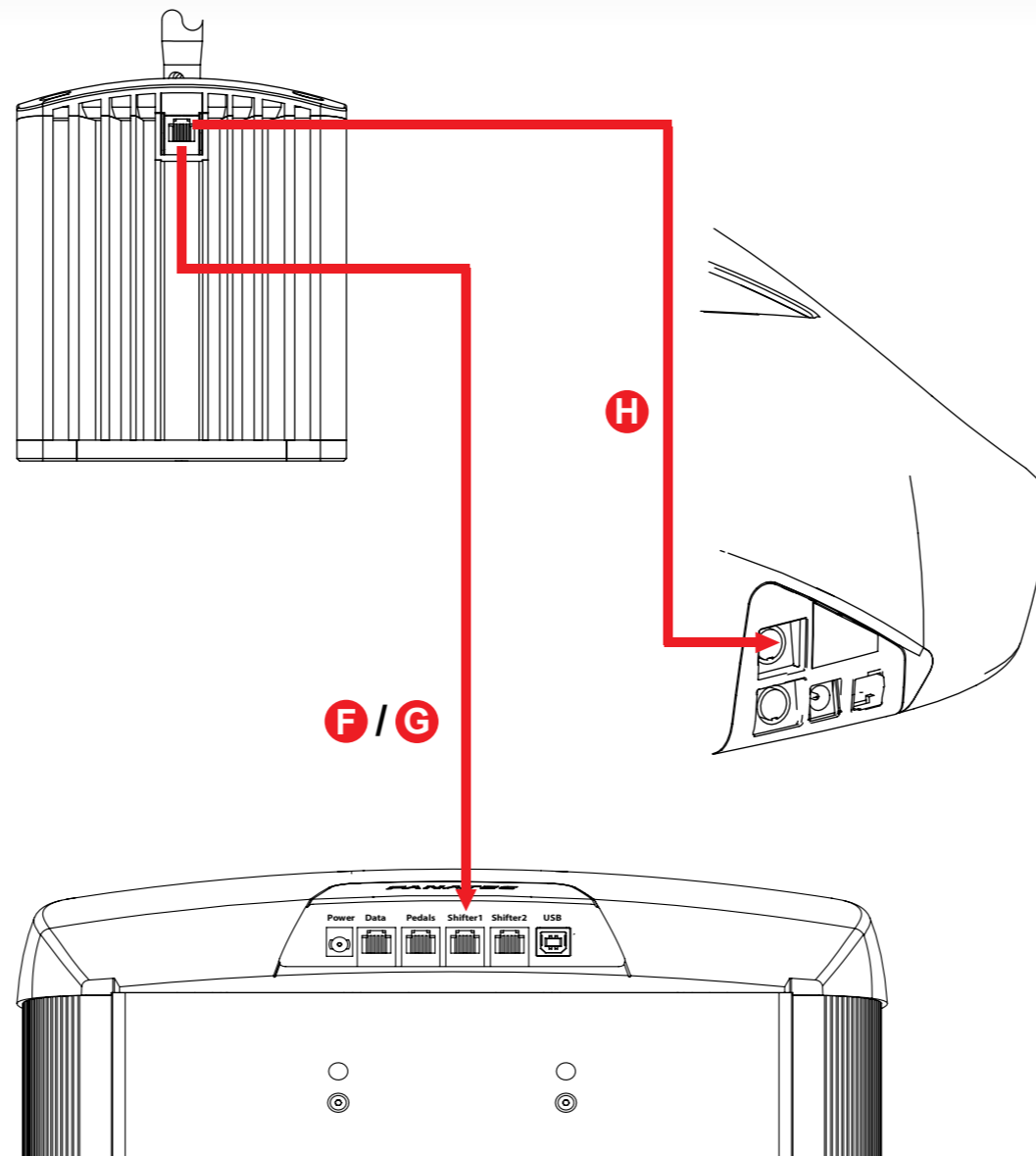
CHANGE THE KNOB



MOUNTING



CONNECTION



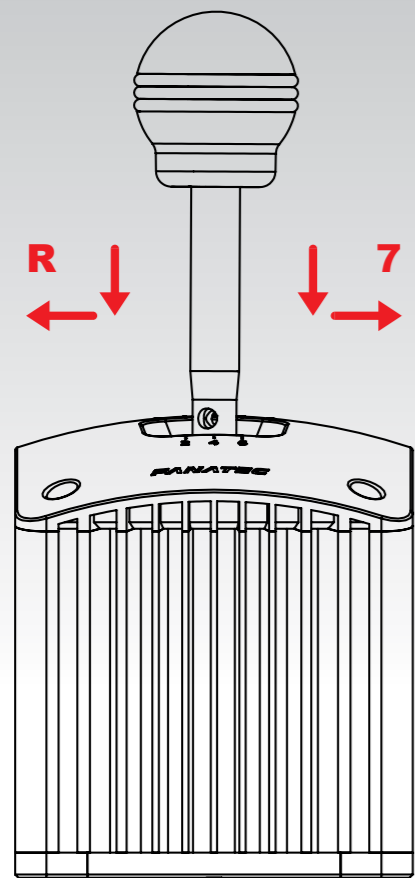
**ClubSport
SHIFTER SQ**



QuickGuide

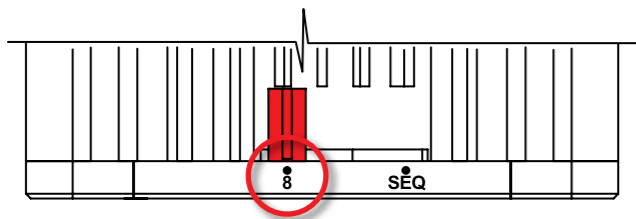


R AND 7th GEAR

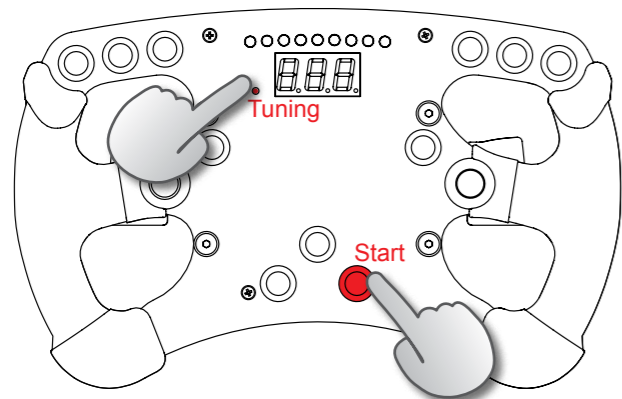


CALIBRATION

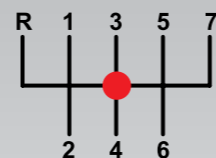
1



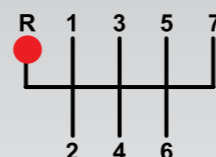
2



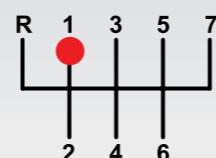
3



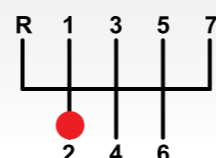
4



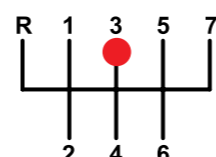
5



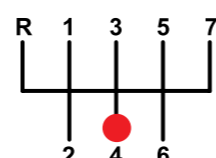
6



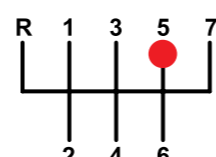
7



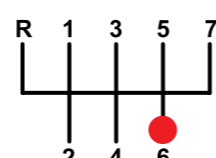
8



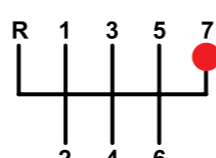
9



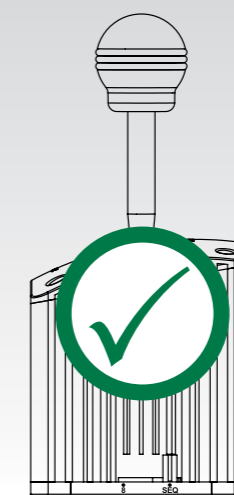
10



11



MODE CHANGE



ADJUST SHIFT RESISTANCE

