

PODIUM RACING WHEEL F1®



Quick Guide

EN

MANUAL

This quick guide is only meant to outline basic functionality. Please visit www.fanatec.com/support in order to learn more about all of the features of this product. This is just a quick guide, features may be missed if manual is not read.

This product is under warranty of Endor AG, Seligenthaler Straße 16a, 84034 Landshut, Germany, Telephone: +49 (871) 9221-122, Fax: +49 (871) 9221-221, Email: info.webshop@fanatec.com. Refer to the chapter 'warranty' of the user manual as well as the terms & conditions of Endor AG on <https://www.fanatec.com>.

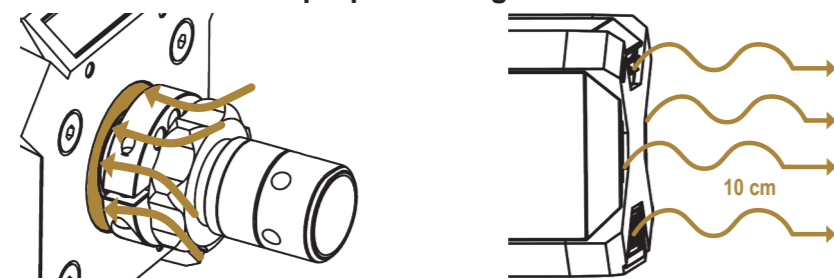
ATTENTION

- If you have an existing Fanatec Pedal set, please replace the old RJ12 cable with the new one included (G).
- When connecting the power supply (C), please connect it to the DD Wheel Base (A) BEFORE connecting it to the power outlet/socket (D).

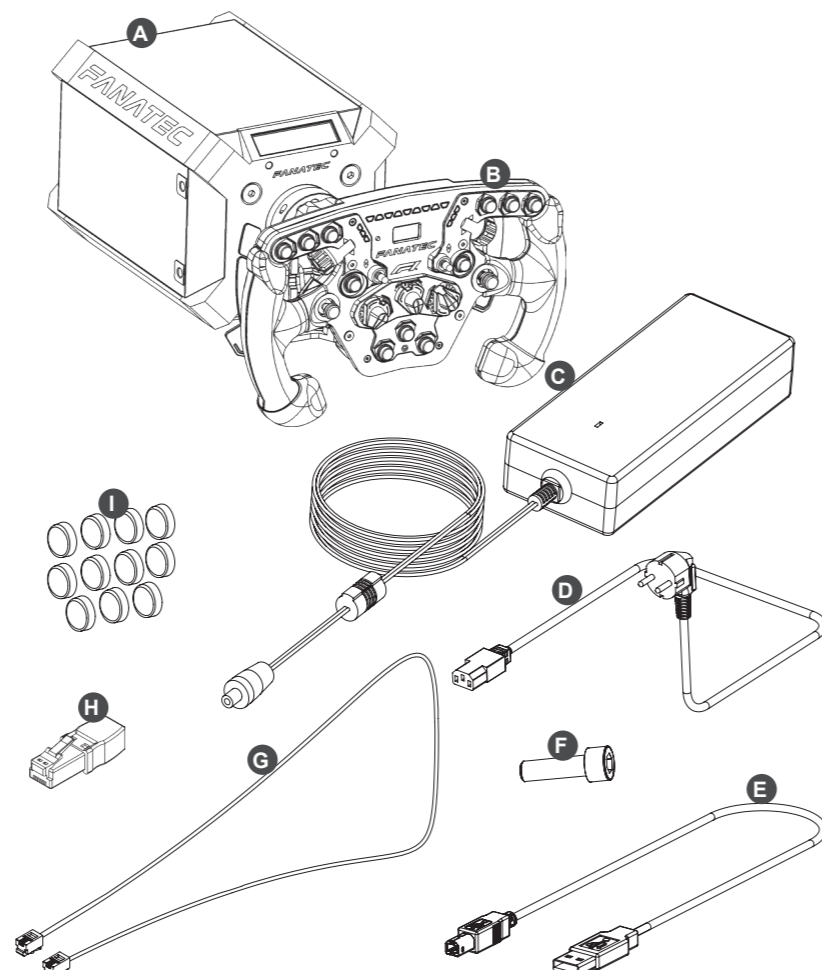
When starting up the Podium Wheel Base for the first time please update the firmware, you can obtain it from www.fanatec.com/downloads. Follow the instructions provided by the user manual.

Compatibility with PlayStation®4 games on a case by case basis. For a full list of compatible games, please visit www.fanatec.com.

Do not cover the air intake on the front side with accessories, and do not place any items in a 10cm range behind the wheel base to allow proper cooling airflow.



CONTENTS



- PS4™ Compatible Podium Wheel Base (A)
- ClubSport Steering Wheel F1® PS4™ with APM (B)
- Power supply unit (C)
- Power cord (regional) (D)
- USB connection cable (E)
- Cylinder head screw ISO 4762 M6x20 (only for simplified Quick Release) (F)
- RJ12 connection cable for Pedals (G)
- Torque Key (H)
- Racing style button caps (I)

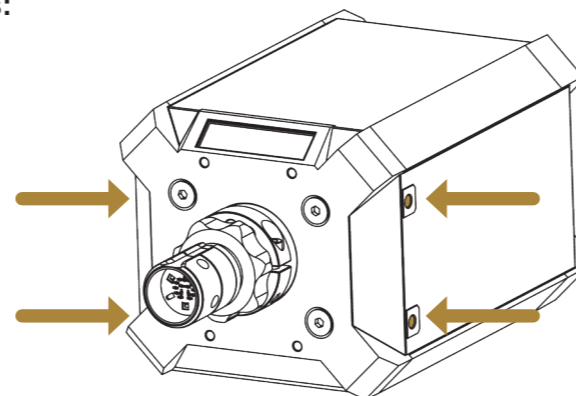
MOUNTING THE PODIUM WHEEL BASE

Download drilling templates from www.fanatec.com/downloads.



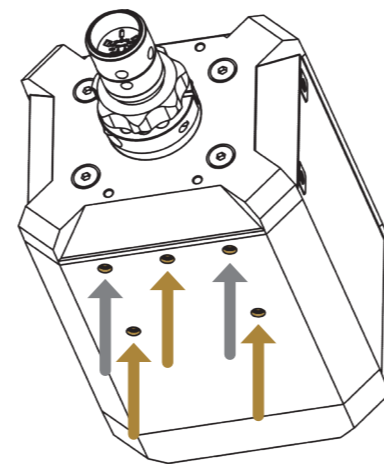
SIDE MOUNTING

On both sides of the wheel base there are two M8-threaded holes:



BOTTOM MOUNTING

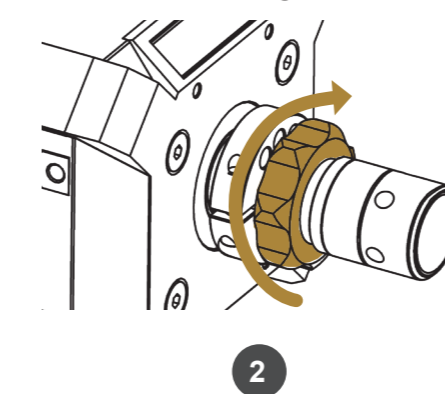
On the bottom side of the wheel base there are five M6-threaded hole patterns for Fanatec triangular mounting and square mounting (78.4mm x 66mm). Using the front centre hole with the two rear holes (Fanatec Triangular mounting - marked with gold arrows) is sufficient for use.



ATTACHING THE STEERING WHEEL

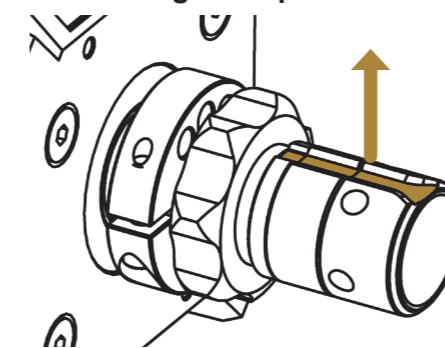
1

Turn the locking ring in a CW direction to the back of the shaft. Make sure the rubber ring is not compressed.



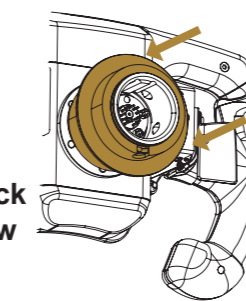
2

Rotate the shaft so the groove points to the top.



3a

Fanatec ClubSport Quick Release: Pull and hold the Quick Release sleeve and carefully push the steering wheel onto the shaft. Release the sleeve.

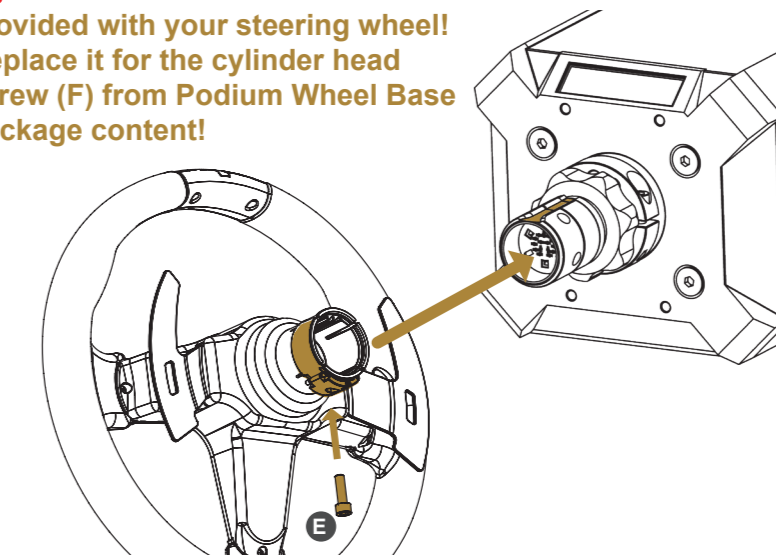


When using the Fanatec ClubSport Quick Release on a Podium DD Base, no screw is required.

3b

Simplified Quick Release: carefully push the steering wheel onto the shaft. Use the M6x20 screw from the Podium Wheel Base accessories for tightening the clamping ring.

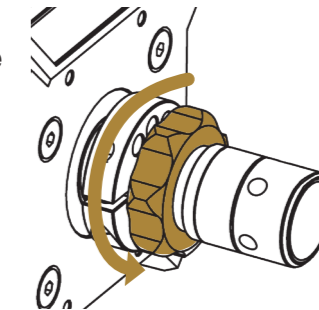
⚠ Do not use the M6x16 screw provided with your steering wheel! Replace it for the cylinder head screw (F) from Podium Wheel Base package content!



4

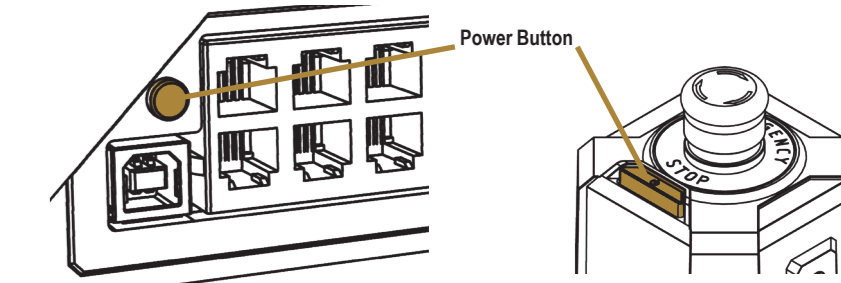
Turn the locking ring in a CCW direction for a tight fit.

Proceed in reverse order to remove the wheel from the base.



ON AND OFF

To turn on the Podium Wheel Base connect it to power and press the POWER BUTTON for about one second on the back side. Also the (optional) Podium Kill Switch has a power button to turn on the wheel base. To turn off, press and hold the POWER BUTTON for 5 seconds and then release.



NOTE: Only use the power supply (C) and power cord (D) included with this product.

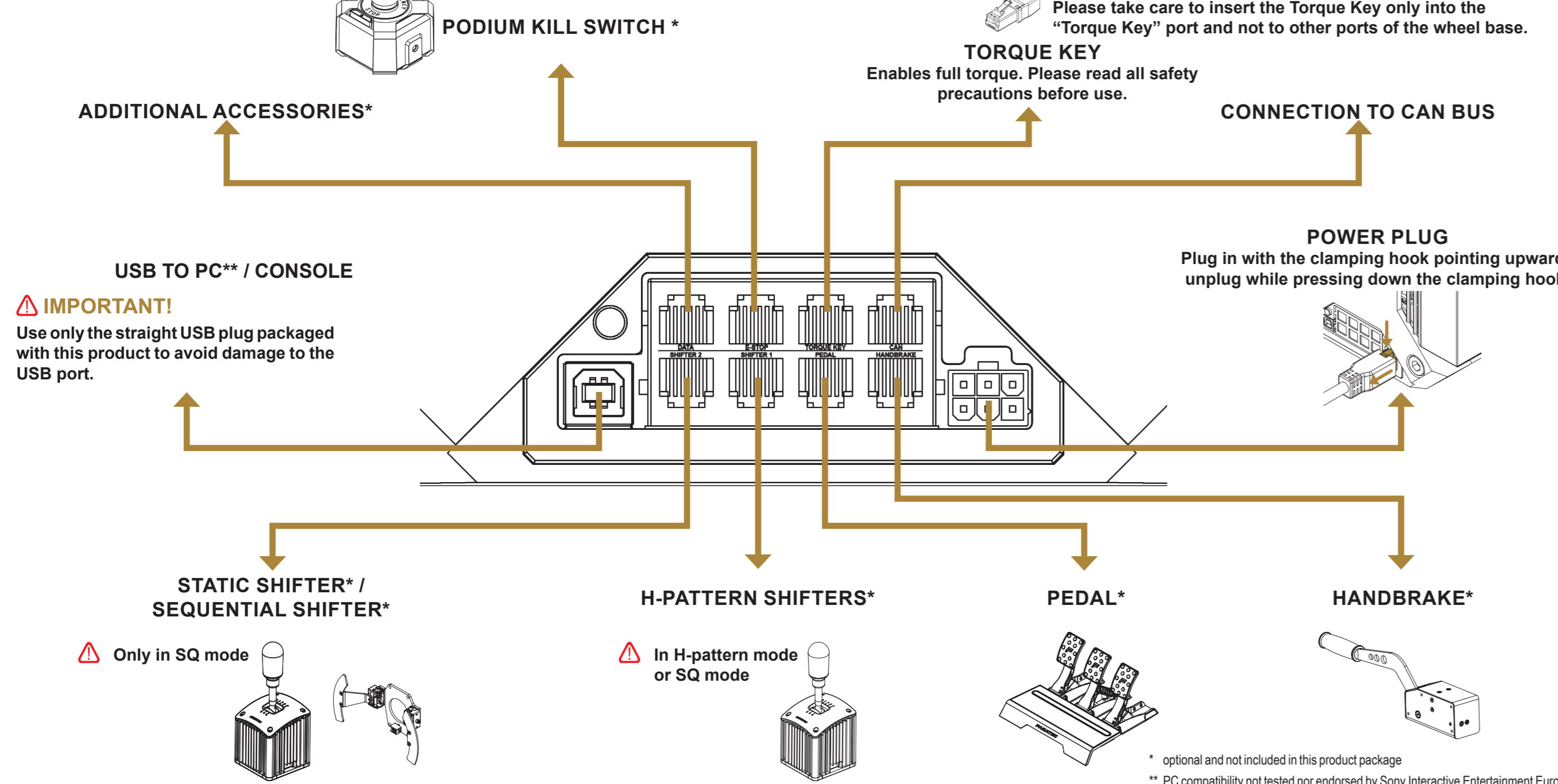
TORQUE KEY

⚠ The Torque Key (H) unleashes the full torque of the Podium Wheel Base. You will be prompted by a safety warning before use. Due to safety reasons this Torque Key is not inserted at the factory. Please take care and read all safety warnings before inserting the Torque Key. To protect unexperienced users and children from injuries we recommend to always remove the torque key when the wheel base is not in use and/or unattended.

Please take care to insert the Torque Key only into the "Torque Key" port and not to other ports of the wheel base, or any other devices besides the Podium Wheel Base.



CONNECTIONS



IMPORTANT!
Use only the straight USB plug packaged with this product to avoid damage to the USB port.

IMPORTANT!
Please take care to insert the Torque Key only into the "Torque Key" port and not to other ports of the wheel base.

Only in SQ mode

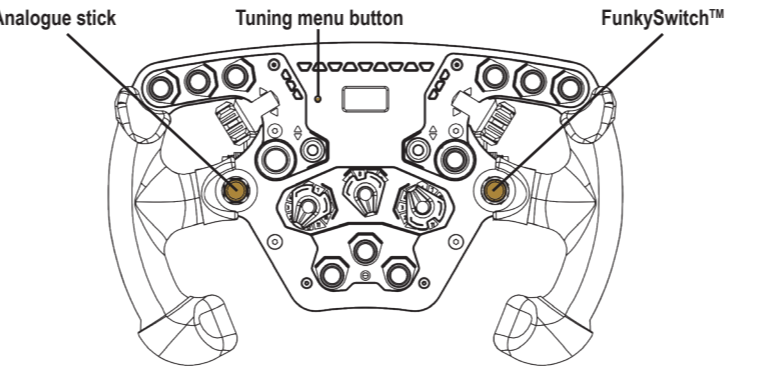
In H-pattern mode or SQ mode

* optional and not included in this product package
** PC compatibility not tested nor endorsed by Sony Interactive Entertainment Europe.

CENTRE CALIBRATION

If a centre calibration is needed (e. g. after firmware update of the wheel base) when using the steering wheel you need to press the tuning button as highlighted on the picture at the bottom of this page to enter tuning menu.

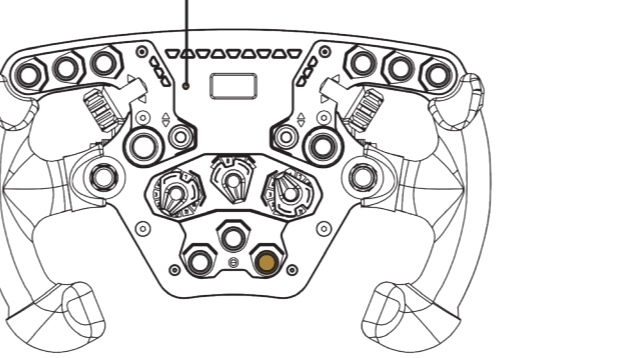
When tuning menu is active press the analogue stick and the FunkySwitch™ simultaneously to calibrate the wheel centre.



SHIFTER CALIBRATION

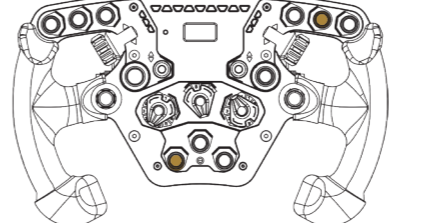
To enter shifter calibration mode, simultaneously press the tuning button and the button highlighted below.

A more detailed description you can find in the shifter Quick Guide.



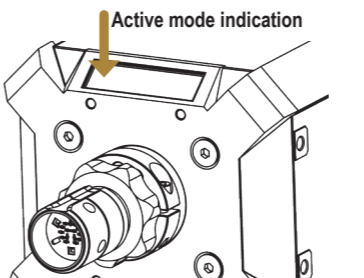
MODES

To change modes, simultaneously press the two highlighted buttons below.



NOTE: Each steering wheel has a different button press combination in order to change modes. Please see your wheel's quick guide in order to see which button press combination is required. The current active operation mode is indicated on the upper left corner of the wheel bases' OLED display:

- **PS4™:** To operate with PlayStation®4 and any Fanatec steering wheel*
- **PC**:** To operate with Windows PCs and any Fanatec steering wheel*
- **Comp V2.5:** To operate with older games on Windows PC's that doesn't support our Podium Wheel Base DD1, use these mode which emulates a CSW V2.5 with any Fanatec Steering wheel*
- **Comp PS4:** To operate with older games on Playstation 4 that doesn't support our Podium Wheel Base DD1, use these mode which emulates a CSL Elite Wheel Base+ with any Fanatec steering wheel**



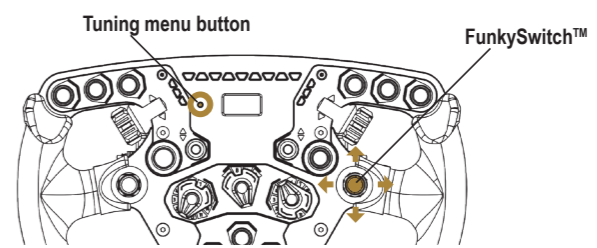
* optional and not included in this product package
** PC compatibility not tested nor endorsed by Sony Interactive Entertainment Europe.

BASE DISPLAY SCREENS

The OLED display of the Podium Wheel Base by default shows the Fanatec logo, detected peripherals, USB connection and operation mode.

Beyond that the display also can show alternative screens with different data, for example installed firmware versions, torque curves or device temperatures.

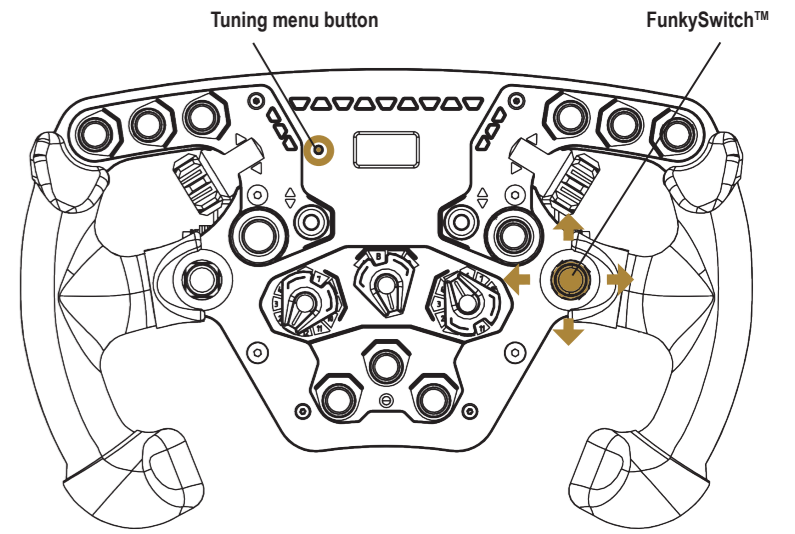
To switch the screens **PRESS AND HOLD** the tuning menu button of the attached steering wheel and then navigate through the screens by FunkySwitch™ directions. Refer to the user manual for more details about the screens and also to the individual quick guides of the steering wheels for the tuning menu button and FunkySwitch™.



| FUNKYSWITCH™ | DISPLAY | MENU TITLE |
|--------------|---------|-------------------------|
| | | Default Screen |
| ← → | | Force Feedback Analysis |
| ← → | | Motor Data Analysis |
| ← → | | Temperature Analysis |
| ↑ ↓ | | System Info |

TUNING OPTIONS

To enter tuning menu, press the tuning menu button **ONCE**. To navigate inside the menu, use the right FunkySwitch™. Press it up or down to access 5 setups. Press FunkySwitch™ right or left to go through the options and turn the FunkySwitch™ to change option values.



Manufactured by **ENDOR®**
Fanatec is a registered trademark of Endor AG
Designed and developed by Endor AG in Germany
Seligenthaler Straße 16 a - 84034 Landshut - Germany
Telephone: +49 (871) 9221-122 Fax: +49 (871) 9221-221
Email: info.webshop@fanatec.com
Website: www.fanatec.com - www.endor.ag

Licensed for sale in Europe and Australia and for use exclusively with PlayStation 4.
The F1 FORMULA 1 logo, F1 logo, FORMULA 1, FORMULA ONE, F1, FIA FORMULA ONE WORLD CHAMPIONSHIP, GRAND PRIX and related marks are trade marks of Formula One Licensing BV, a Formula 1 company. Licensed by Formula One World Championship Limited, a Formula 1 company. All rights reserved.



Made in China