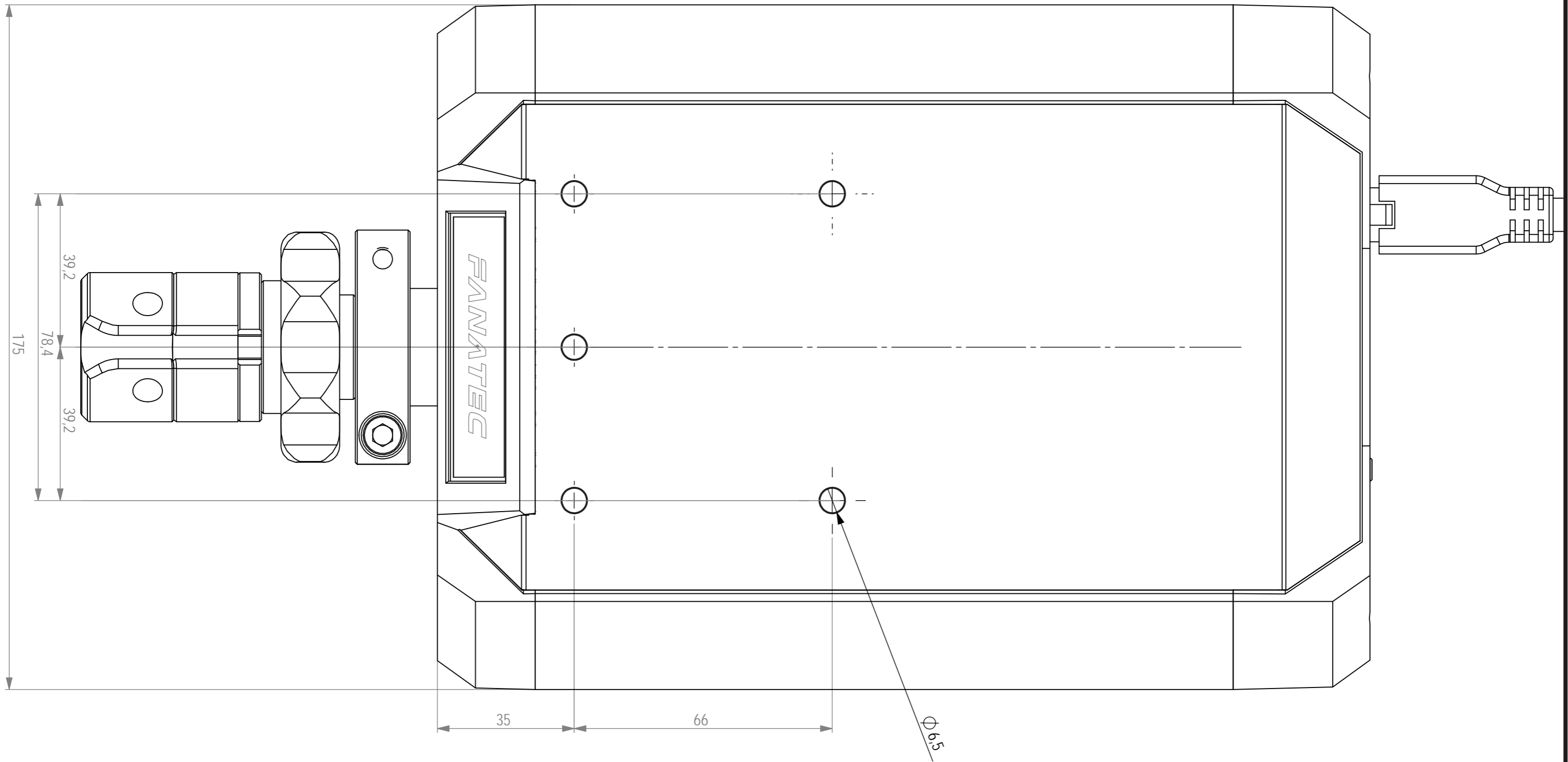


VIEW FROM LEFT SIDE





TOP VIEW



